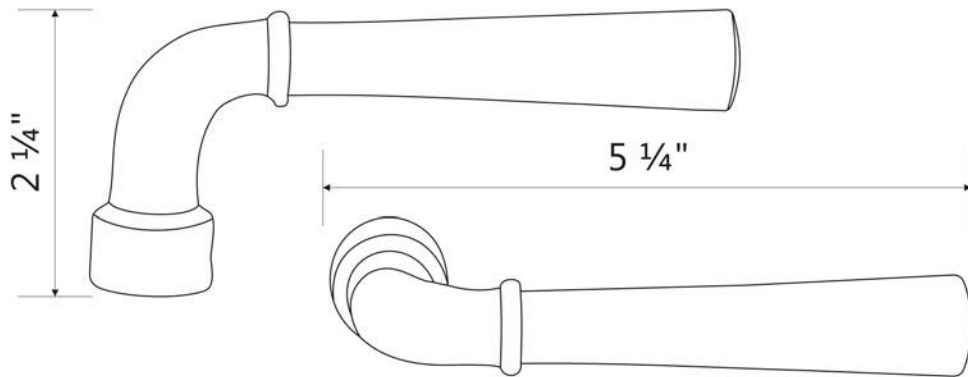
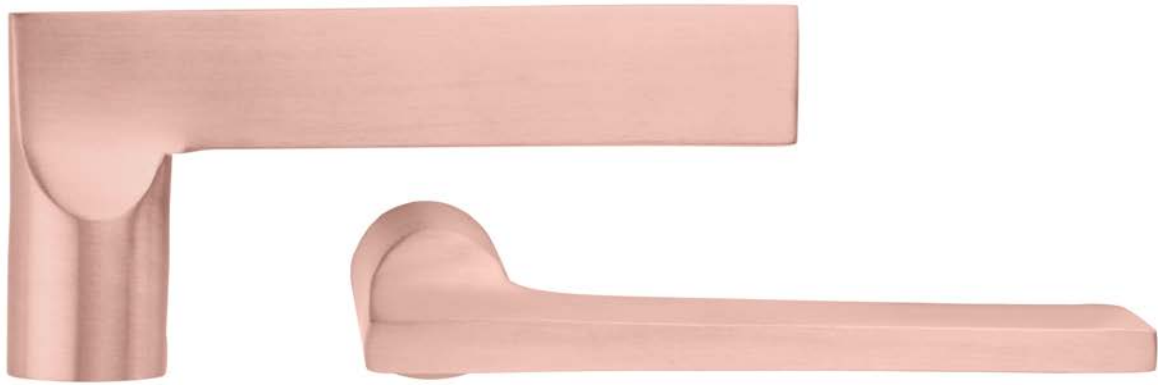


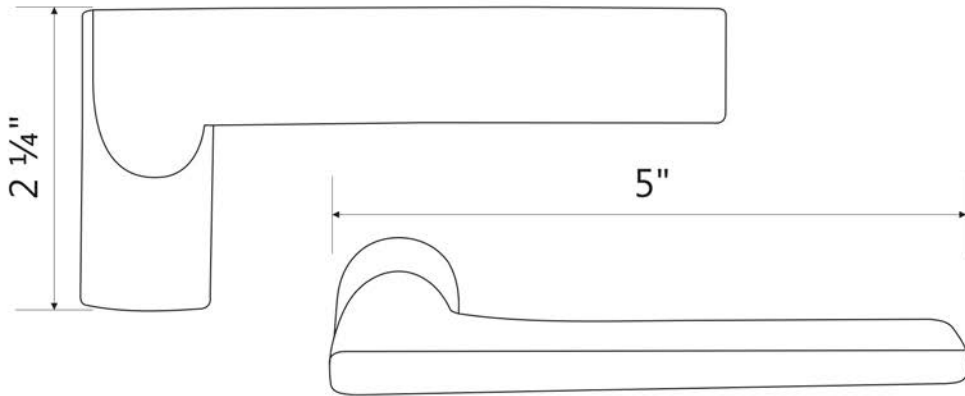
Bayer Lever
Shown in Brushed Copper





Frankfurt Lever

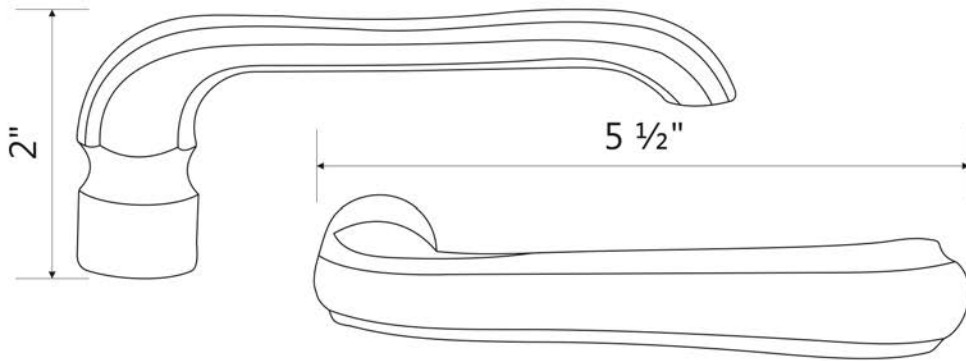
Shown in Brushed Copper



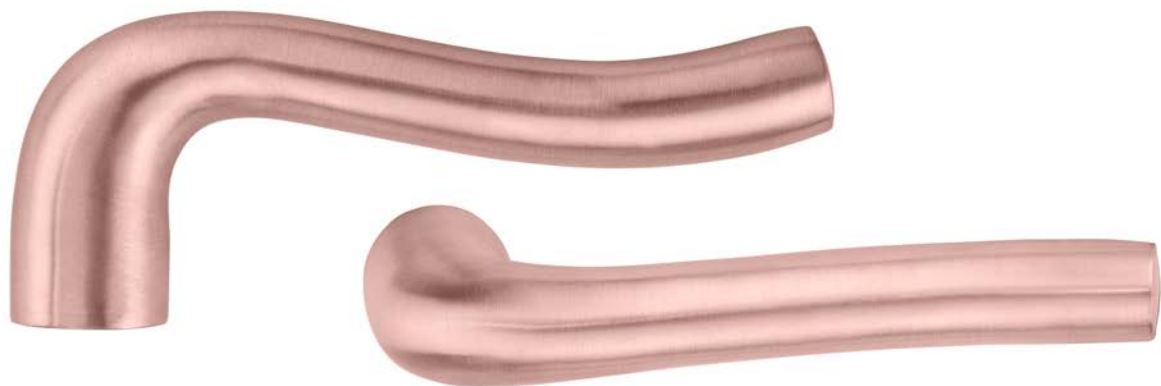
Frankfurt Lever



Gaultier Lever
Shown in Brushed Copper

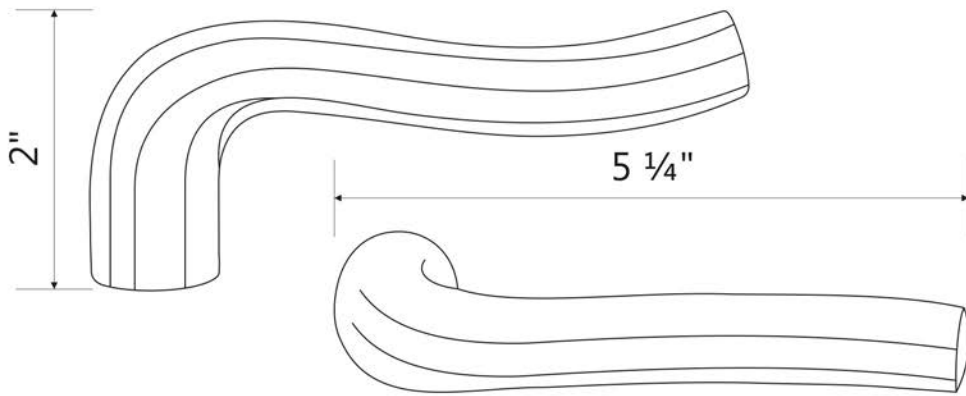


Gaultier Lever



Leon Lever

Shown in Brushed Copper



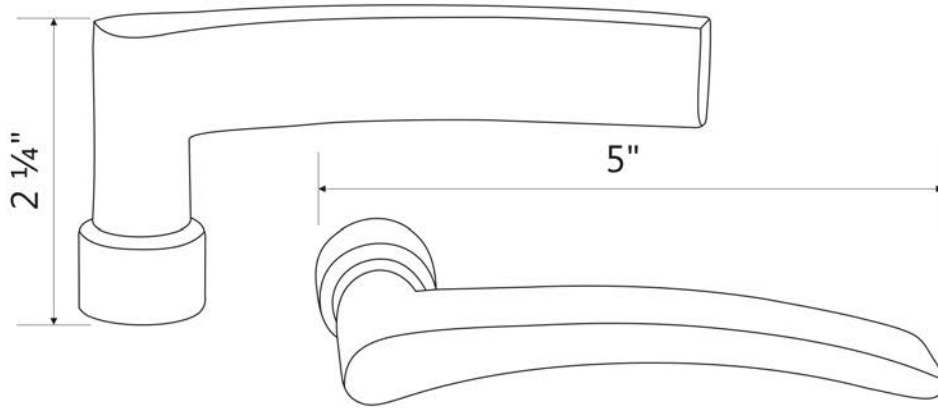
Leon Lever


ASTOR MARRIS

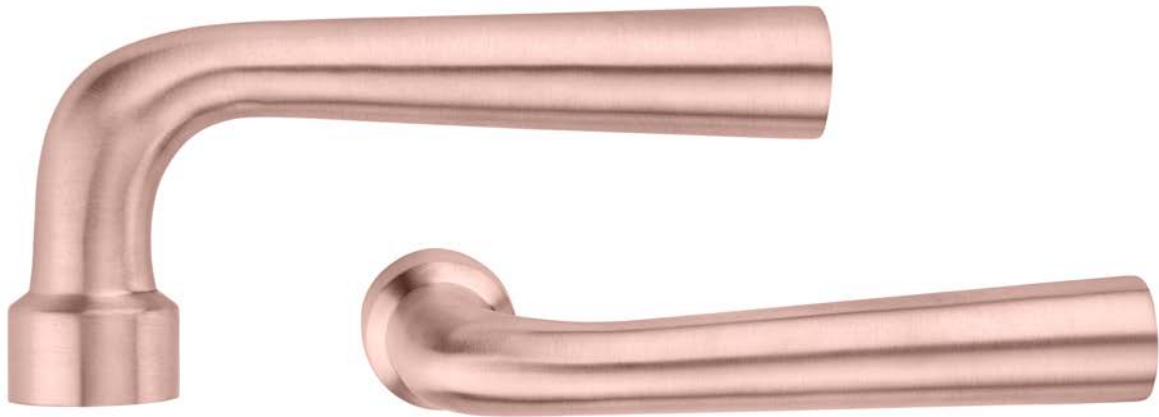


Lille Lever

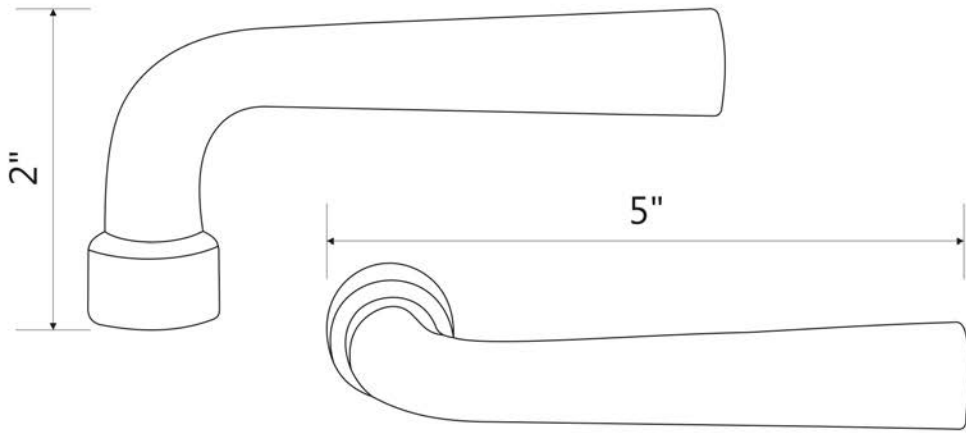
Shown in Brushed Copper



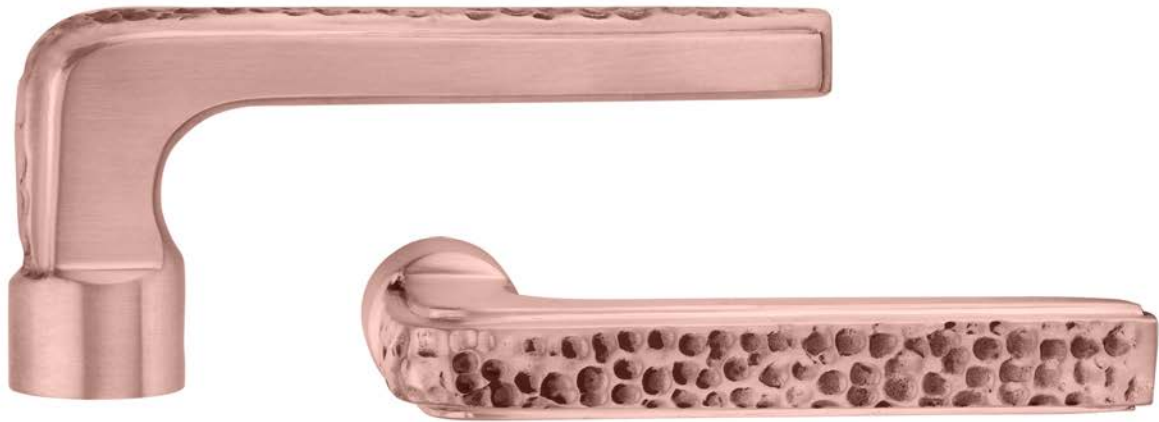
Lille Lever



Lison Lever
Shown in Brushed Copper

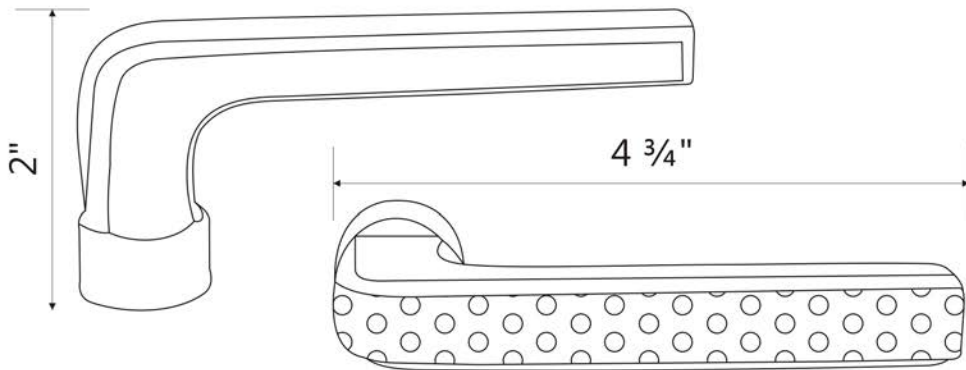


Lison Lever



Lutton Lever

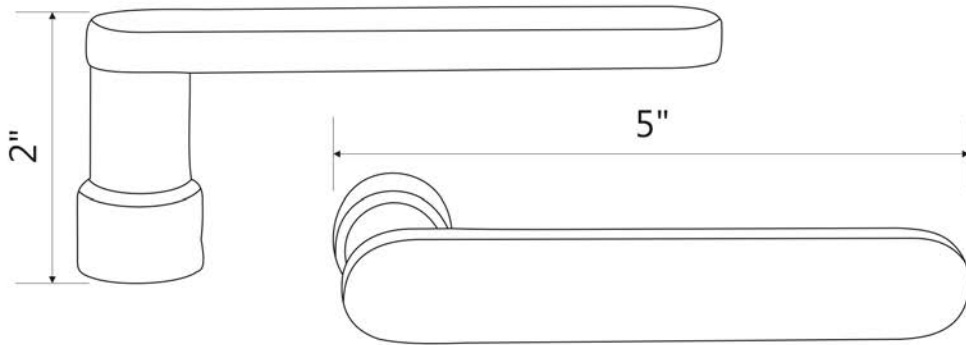
Shown in Brushed Copper



Lutton Lever



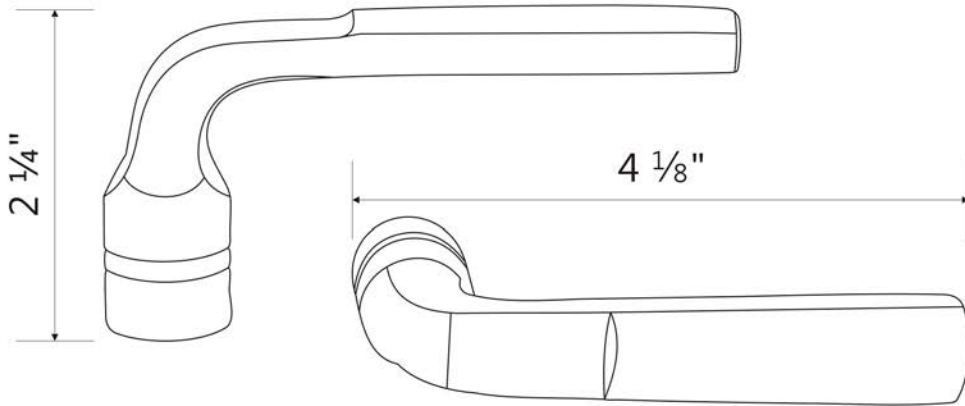
Mykonos Lever
Shown in Brushed Copper



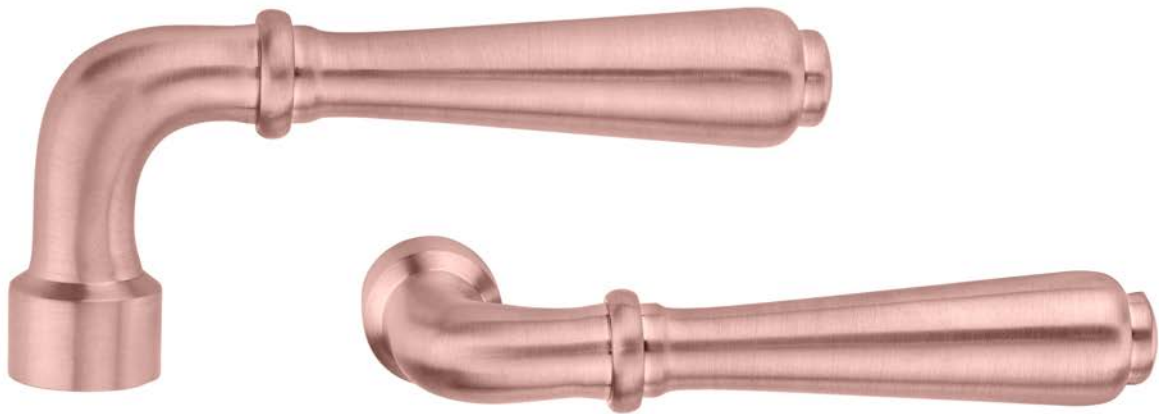
Mykonos Lever



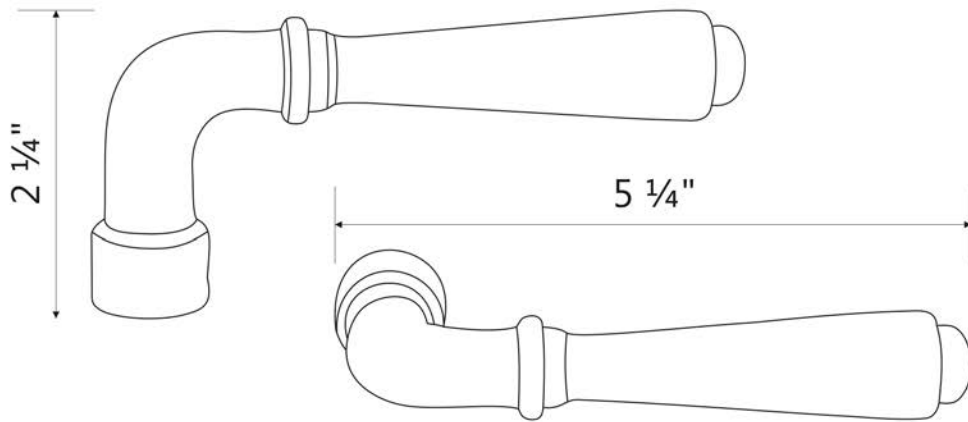
Petersburg Lever
Shown in Brushed Copper



Petersburg Lever



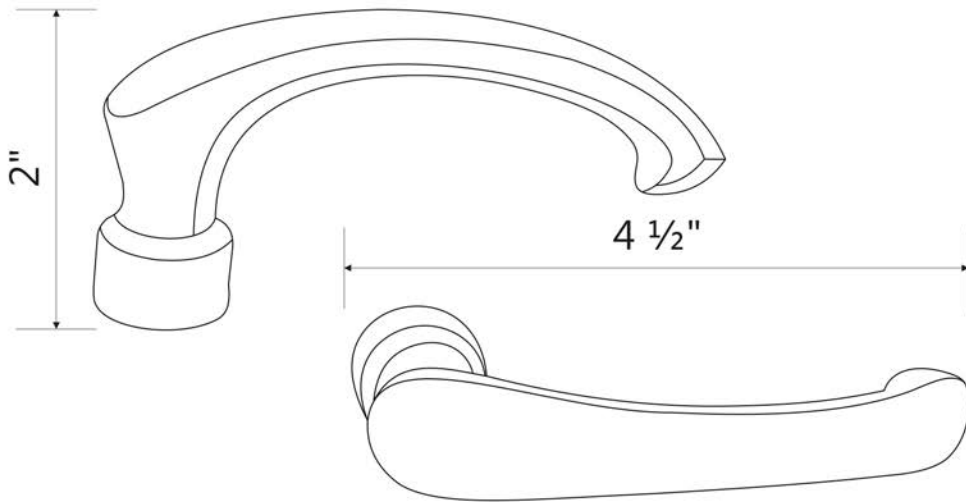
Sparks Lever
Shown in Brushed Copper



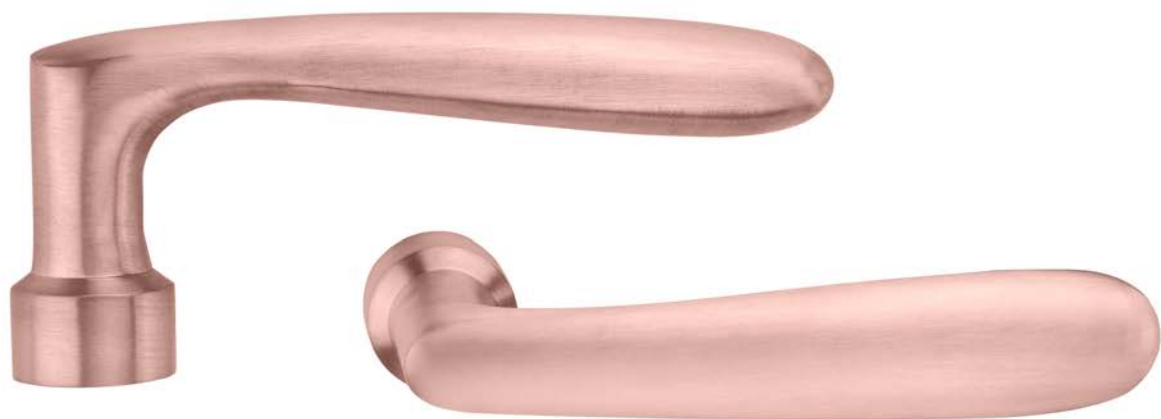
Sparks Lever



Trinity Lever
Shown in Brushed Copper

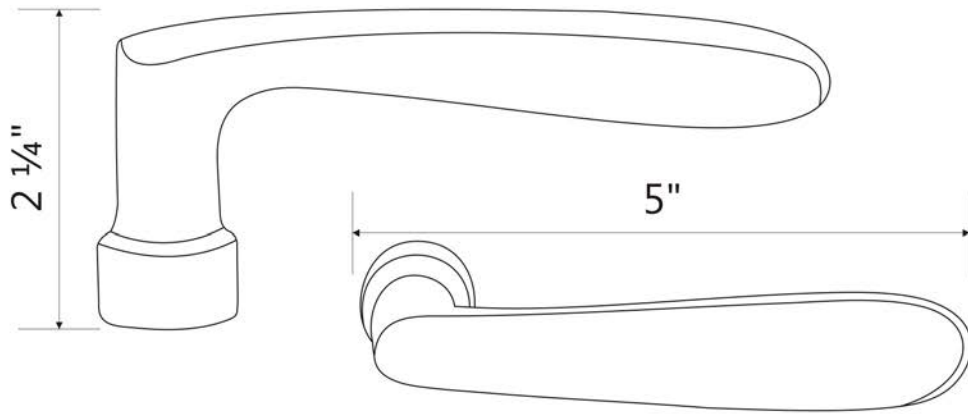


Trinity Lever



Zeos Lever

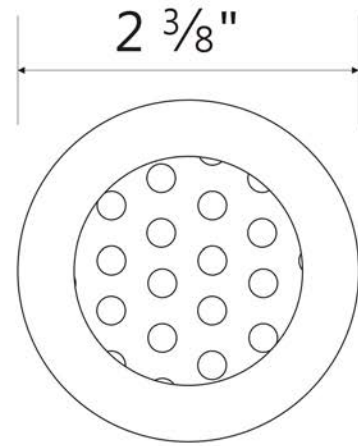
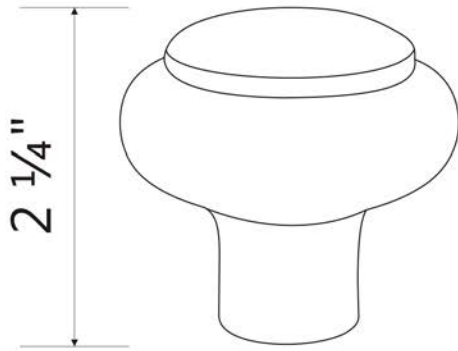
Shown in Brushed Copper



Zeos Lever



Leeds Knob
Shown in Brushed Copper

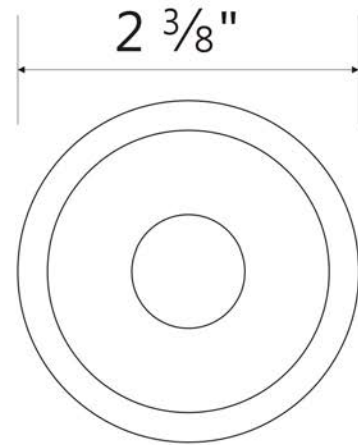
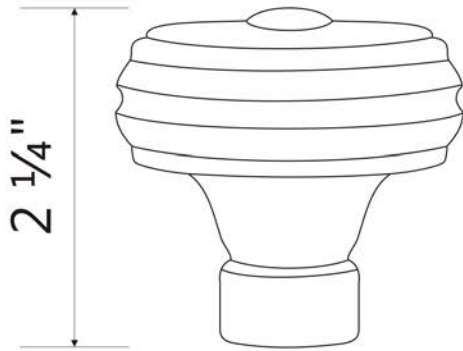


Leeds Knob

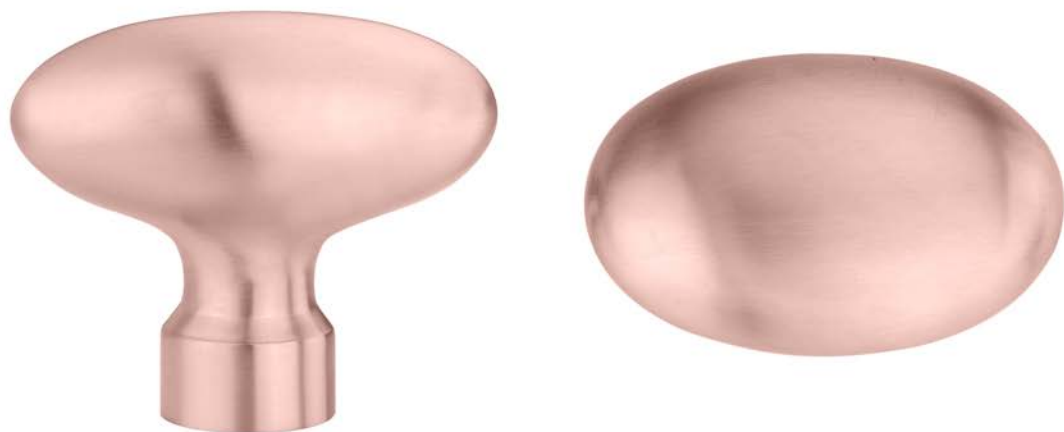


St. Albans Knob

Shown in Brushed Copper

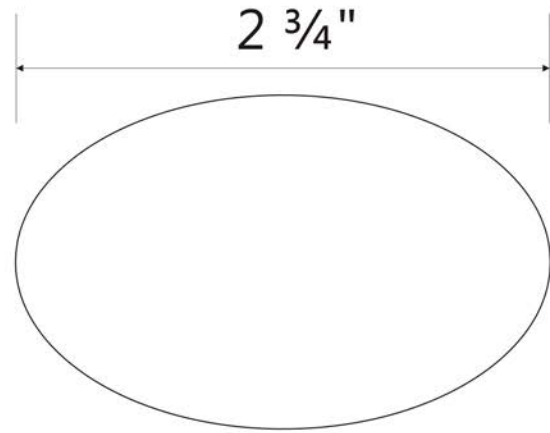
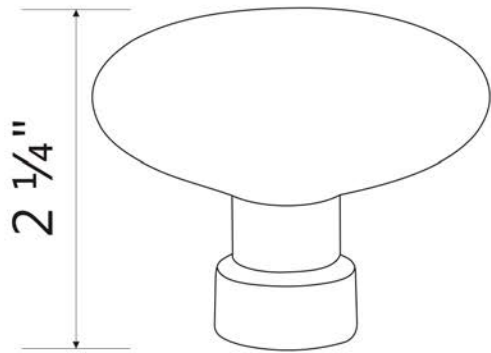


St Albans Knob



Worcester Knob

Shown in Brushed Copper

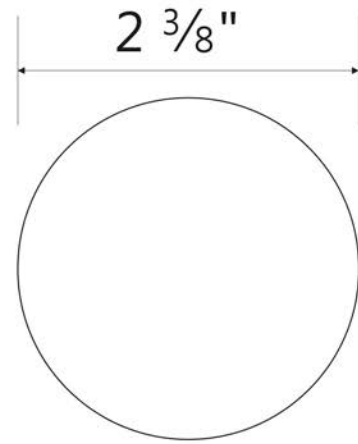
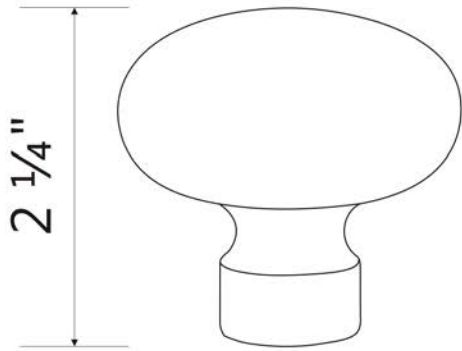


Worcester Knob

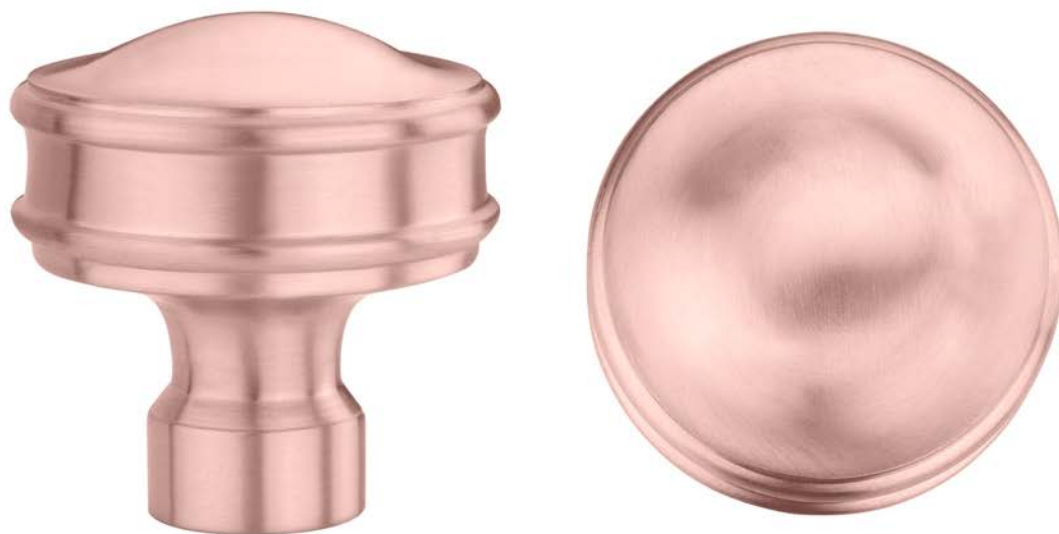


York Knob

Shown in Brushed Copper

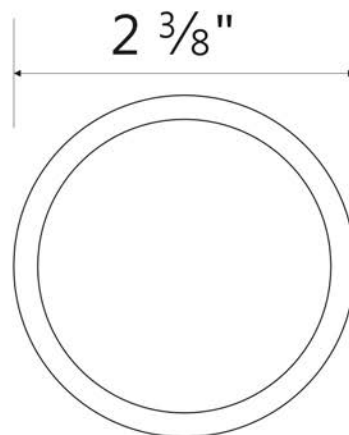
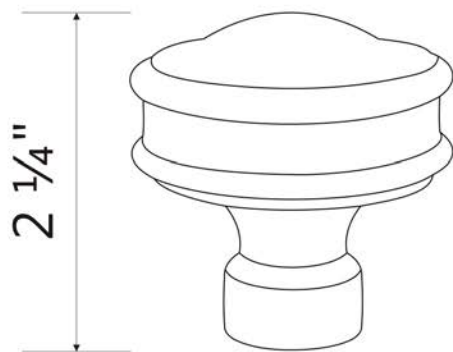


York Knob



Ely Knob

Shown in Brushed Copper



Ely Knob